

Pocket Money Kit of the Month – January 2020

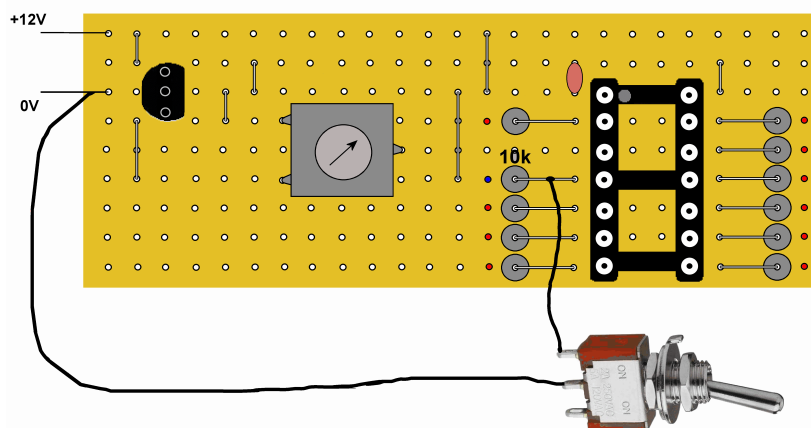
No 12 – Random lights – now four options

The existing kit makes up to 10 LEDs go on and off at random when power is applied.

However, as always, members ask for new ways to use kits.

In response, there are now three additional options for the random lights kit.

Two need no modification to the existing module, apart from changing the program stored in the PIC chip. The only addition is an on/off switch between pin 4 of the PIC chip and 0V.



- My mod simulates street lights, security lights, shop lights, etc. going on at random when the switch is closed - and staying on. When the switch is open, the lights go off randomly - and stay off. A day/night scenario.
- Fraser's mod works like the existing kit with the switch open - but the lights go out randomly and stay off when the switch is closed. Handy in houses/hotels etc. simulating people going to bed.

A fourth version uses the kit to provide random short pulses on the output pins. These pins connect to the DFplayer audio module to play sounds at random.

Let me know if you want to use any of these variants.

You can :

- Buy a new kit with the new PIC program of your choice.
- Swap your existing PIC chip for one with the new program.

In both cases, there is no extra charge but I would need prior notice to bring along the requested PIC (or kit with new PIC).

The existing kit will be available at meetings as normal.