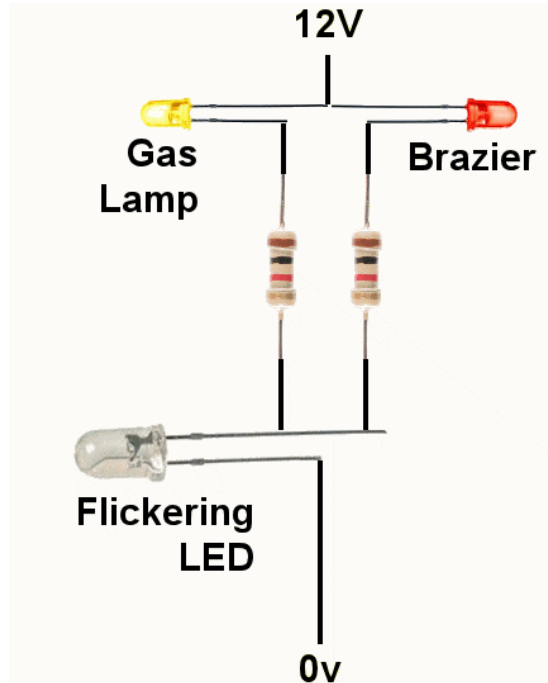


This is a very short clip of the flickering fire in the Lancashire boiler fire hole. Used Davy's suggestion to utilise a red LED in series with a flickering LED. Simple but very effective I think.



Burton Steel

Click [HERE](#) to watch video