

## 3D Printing Railway Modelling Porn

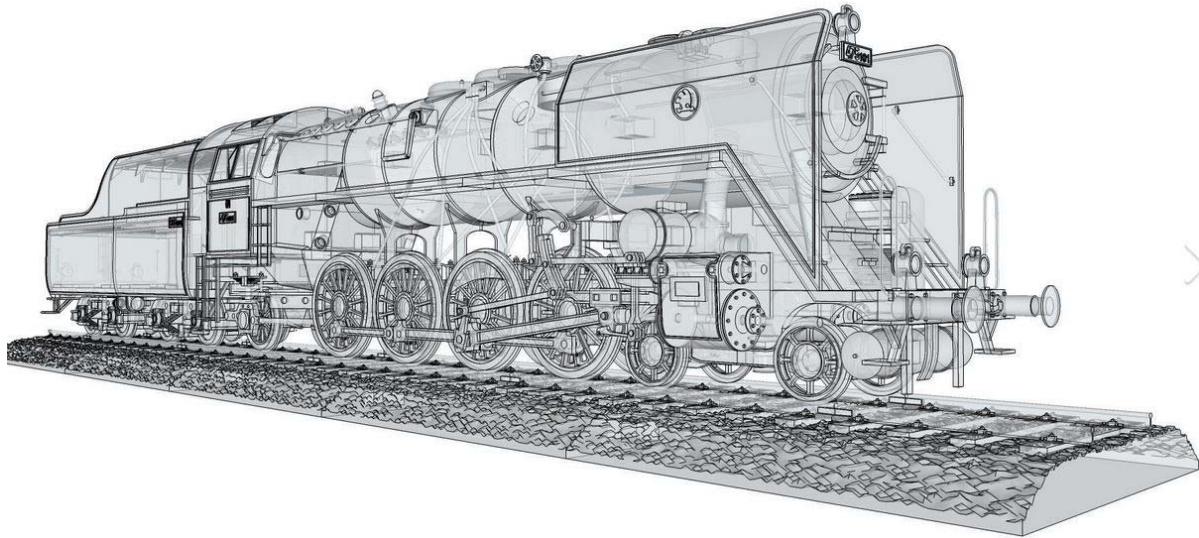
I came across this whilst looking for something else.

The site <https://www.cgitrader.com> includes an area where 3D printer and CNC designs are sold by their authors. \$80 buys you the files to print and create this model of the 'Steam Locomotive 475.101 Noblewoman with tender'.



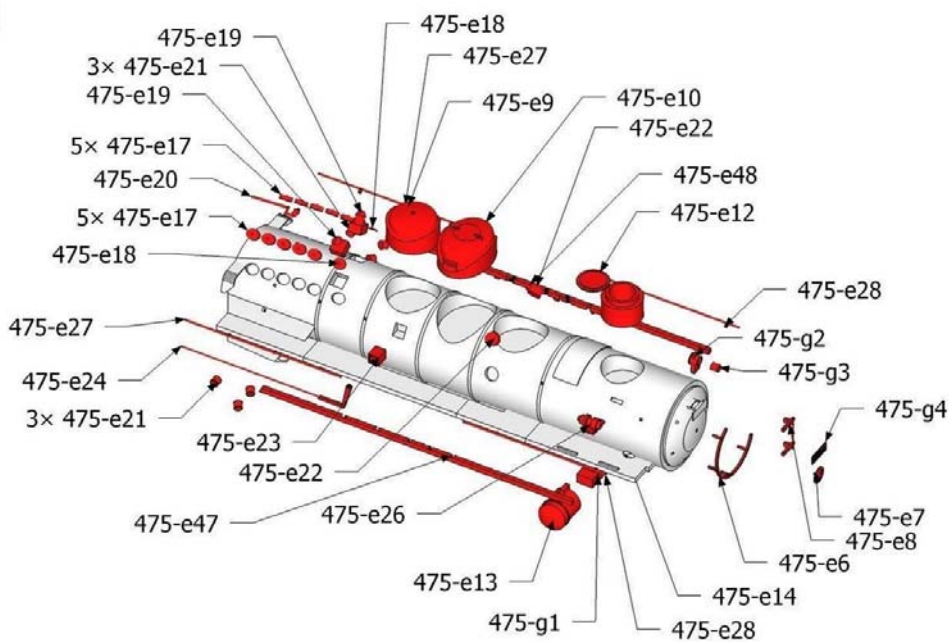
The model is at 1:21 scale, so it's over a metre long!! and it is made up of over 300 individual pieces to print, finish, paint and assemble. Look closely at the boiler body and you can see the roughness from the individual 0.2mm layers through a 0.4mm nozzle, exactly the same as we use for WOSAG prints. The whole thing was made on a standard Prusa i3 printer.





All the details are available at.

[https://www.cgtrader.com/3d-print-models/games-toys/toys/steam-locomotive-475-dot-1-noble-woman-with-tender-935-dot-0?fbclid=IwAR2Y3X3gV05KHV6AaNI\\_kwuSLYIBoca8TTSR0Vijjo0NFIxq9zieu4G7nc](https://www.cgtrader.com/3d-print-models/games-toys/toys/steam-locomotive-475-dot-1-noble-woman-with-tender-935-dot-0?fbclid=IwAR2Y3X3gV05KHV6AaNI_kwuSLYIBoca8TTSR0Vijjo0NFIxq9zieu4G7nc)



There are also many more sumptuous models on the cgtrader site. And whilst some of the pricing may be a bit 'speculative', the ideas are free!



If you see an idea you think you would like to develop, contact myself or one of the 3D print guys via convener Davy Dick. Or even buttonhole myself or George Parkinson, who will both be at the Wosag open day at the end of March. (Details of that are already in your diary!)